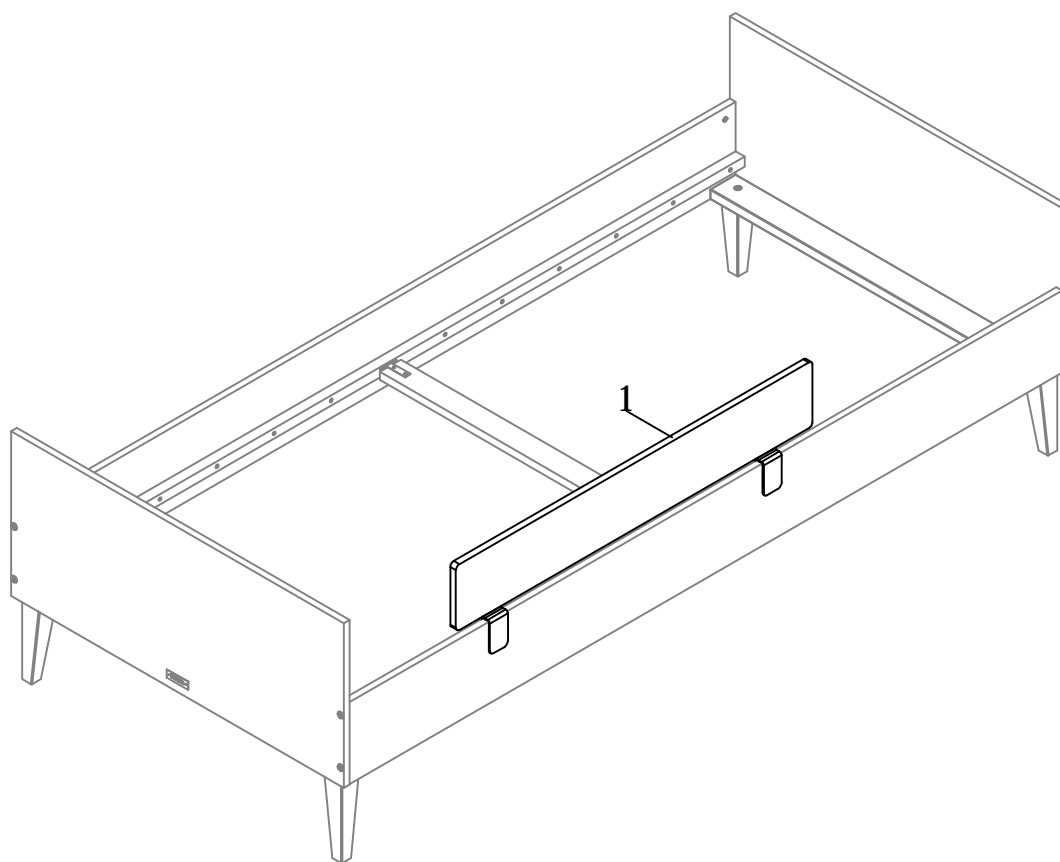


# bopita®

ASSEMBLY INSTRUCTION  
MONTAGE HANDLEIDING  
MONTAGE ANLEITUNG  
NOTICE DE MONTAGE  
MANUAL DE MONTAJE

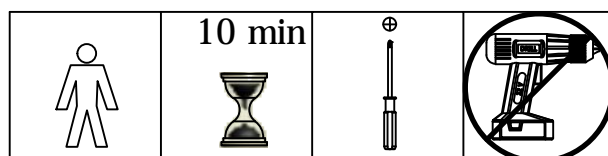
UK MODEL : UNIVERSAL  
NL TYPE : PROTECTION SIDE FOR SIDES 18 MM  
D COLOUR : WHITE  
F ART.CODE : 196204.11.  
ESP






Distributor:

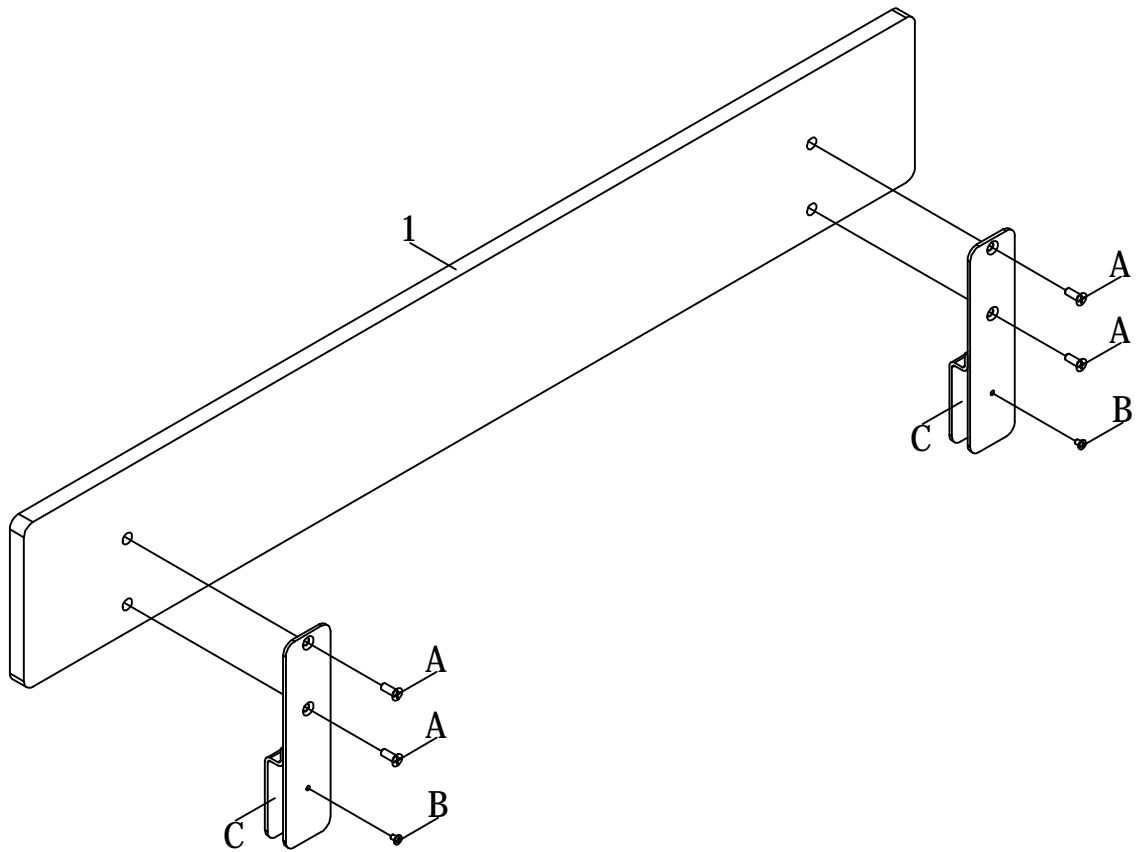
BOPITA  
Energieweg 1  
6662 NS Elst  
The Netherlands

[www.bopita.com](http://www.bopita.com)

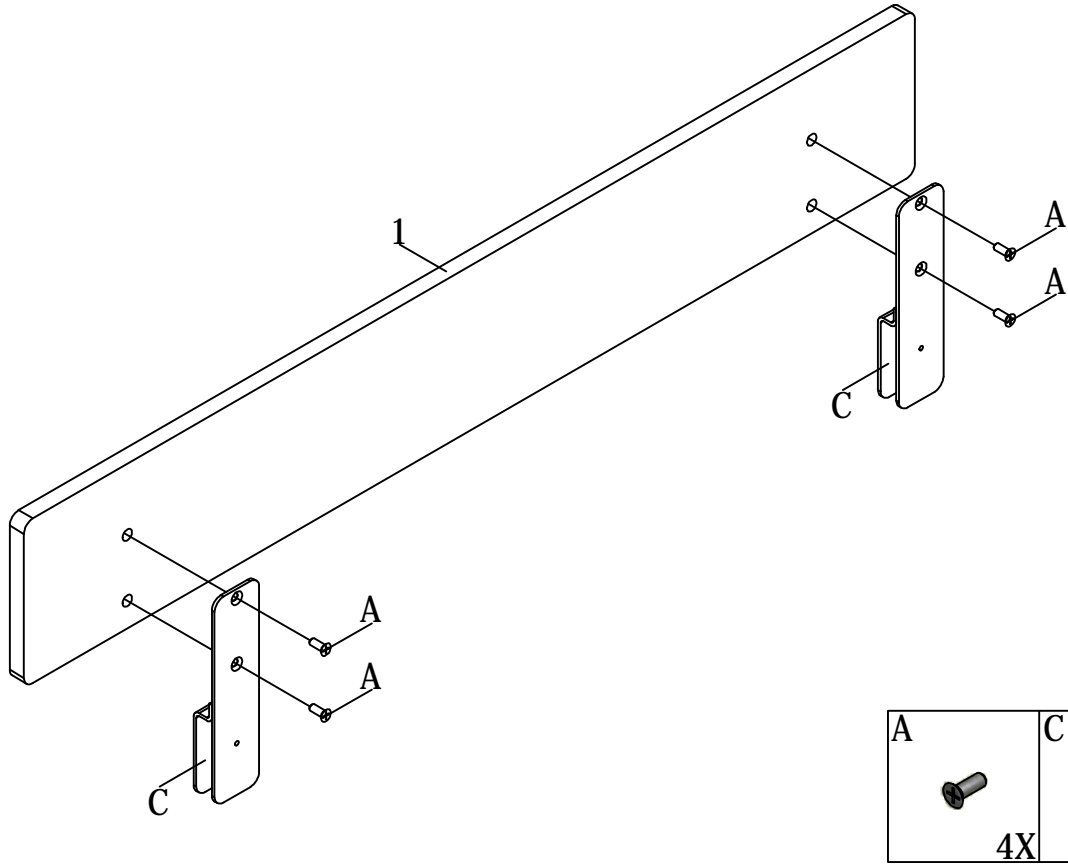


24.06.2020.

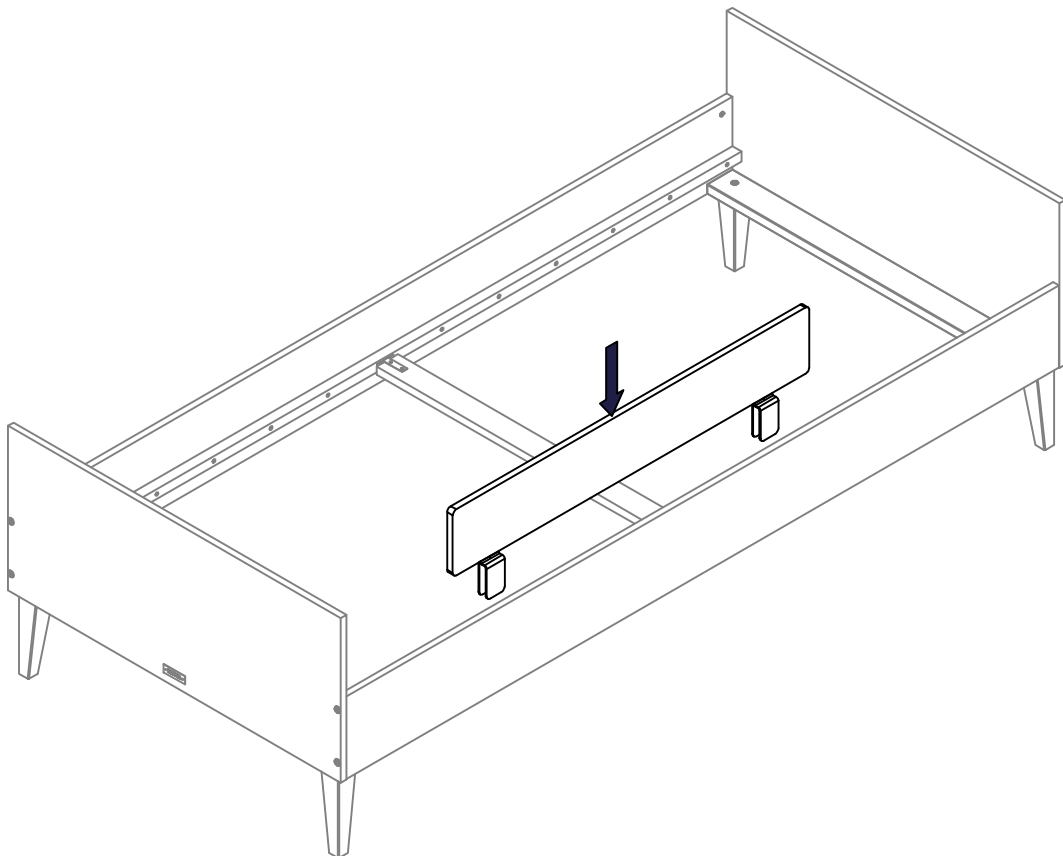
<p>A</p>  <p>M6X10      4X</p>	<p>B</p>  <p>M4X6      2X</p>	<p>C</p>  <p>2X</p>
---	--	---



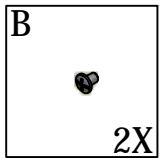
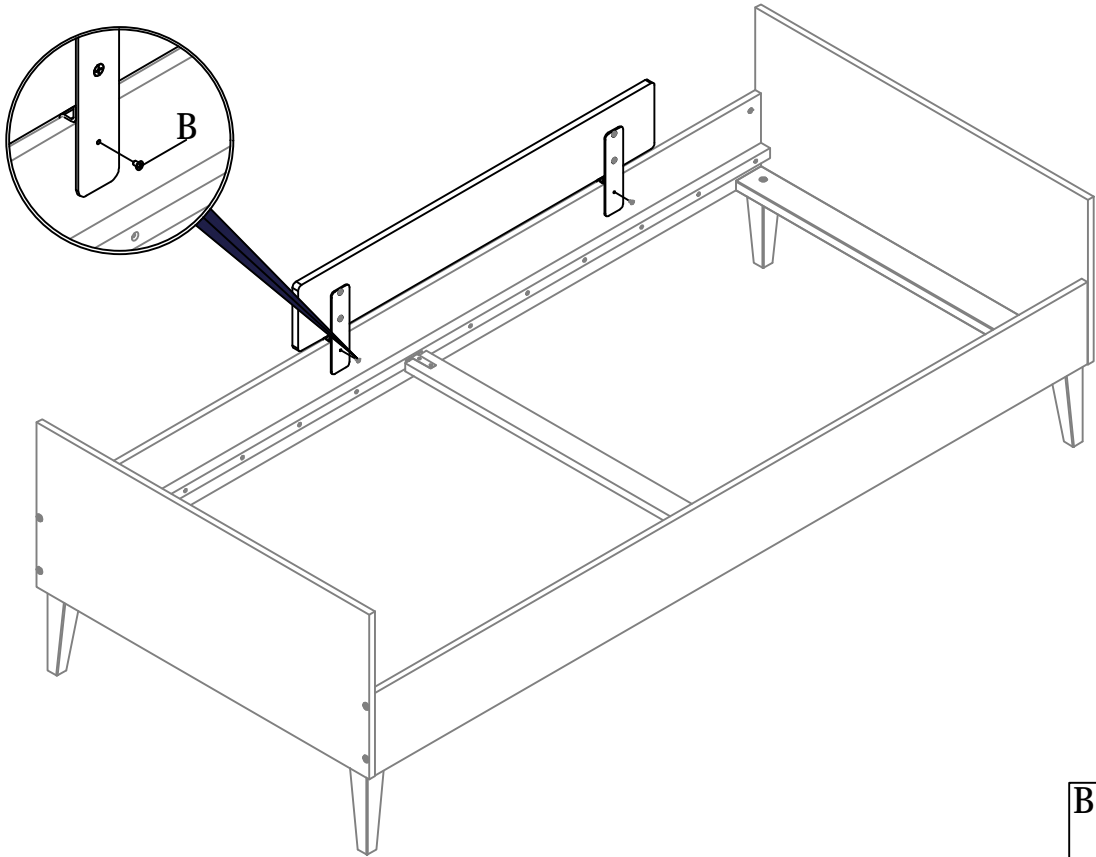
1



2



3



4

